

TOPSFLO Magnetic Drive Pump TD5 SST Pump House

Beer Brewing Pump

- Home Beer Brewing
- Hot Water Circulation
- Beverage Dispenser
- Food Liquid Transfer
- General Liquid Transfer

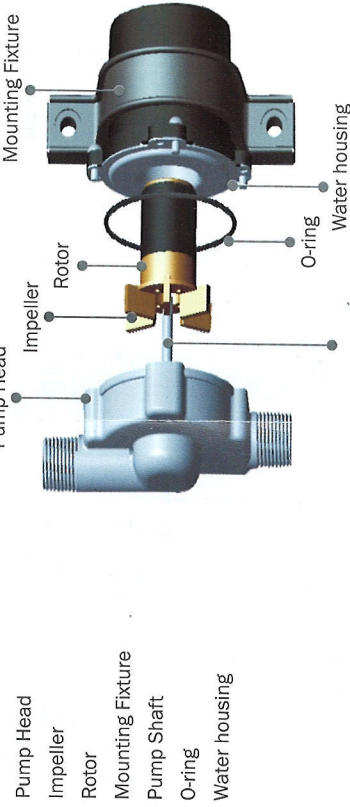
Features

- Food-grade stainless steel pump head and water housing, very safe and reliable
- Leakproof due to advanced magnetic driving technology and static seal
- Maintenance-free brushless DC motor, with long lifetime
- Heavy-duty; can sustain 24 hours continuous work
- Ultra-quiet operation: as low as 50 dB
- Max liquid temperature: up to 110 °C (230 °F)
- ½" BSPT inlet and outlet
- Overvoltage and overcurrent protection
- Block and polarity protection

Specification

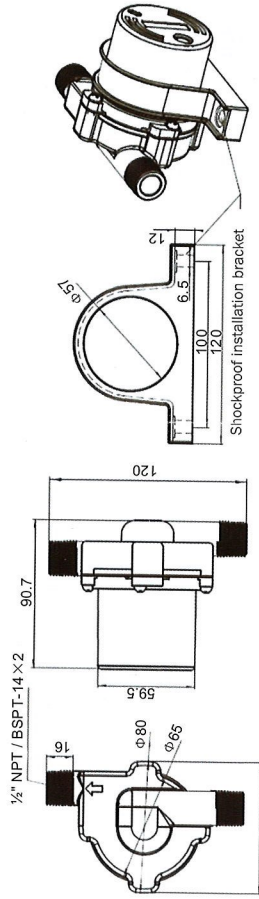
Model	Product Code	Max Water Flow (l/min)	Rated Voltage (VDC)	Rated Current (A)	Max Water Head (M)	Rated Power (W)	Adaptor Type
TD5 with adaptor	TD5-A24-2505-P/UK	25	24	1.4	4.5	35	UK
	TD5-A24-2505-P/EU	25	24	1.4	4.5	35	Europe

Structure Diagram



Illustration

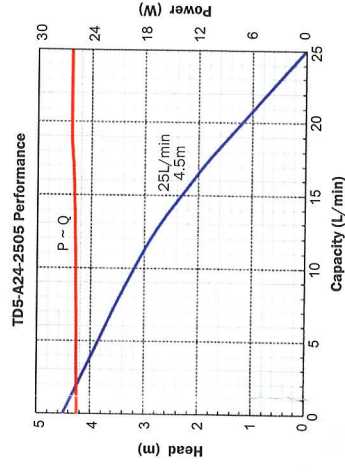
½" BSPT-14×2 & Shockproof installation bracket



Curve

TD5-A24-2505 Performance

- Capacity (L/min)
- Head (M)
- Power (W)



Installation Direction

It is preferred that the pump always remains in a horizontal direction, pumping upward (as shown below).

It is acceptable for the pump to be mounted under the piping in a vertical direction.

In order to avoid air bubbles, please ensure adequate water into the pump.

It is recommended to install the pump in a position lower than the liquid level of the tank.

To minimise frictional resistance, the shortest piping possible with a minimum number of bends should be utilised on the inlet or suction side of the pump.

Install a water softener if you have hard water.

